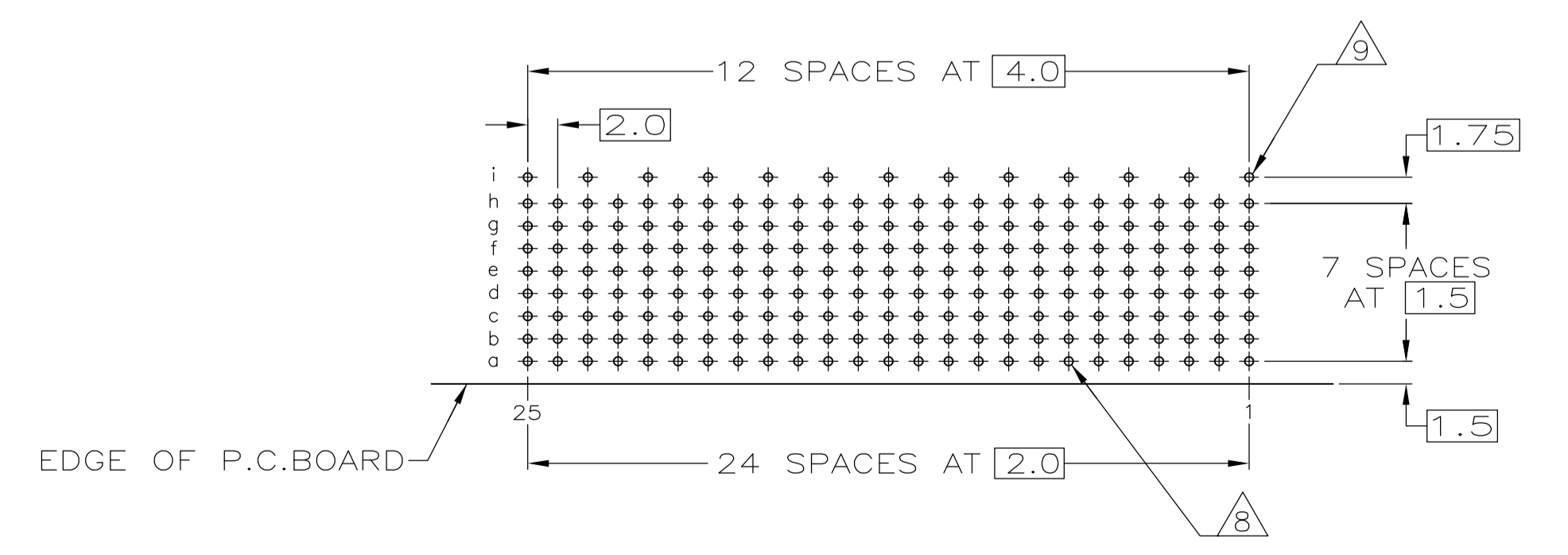
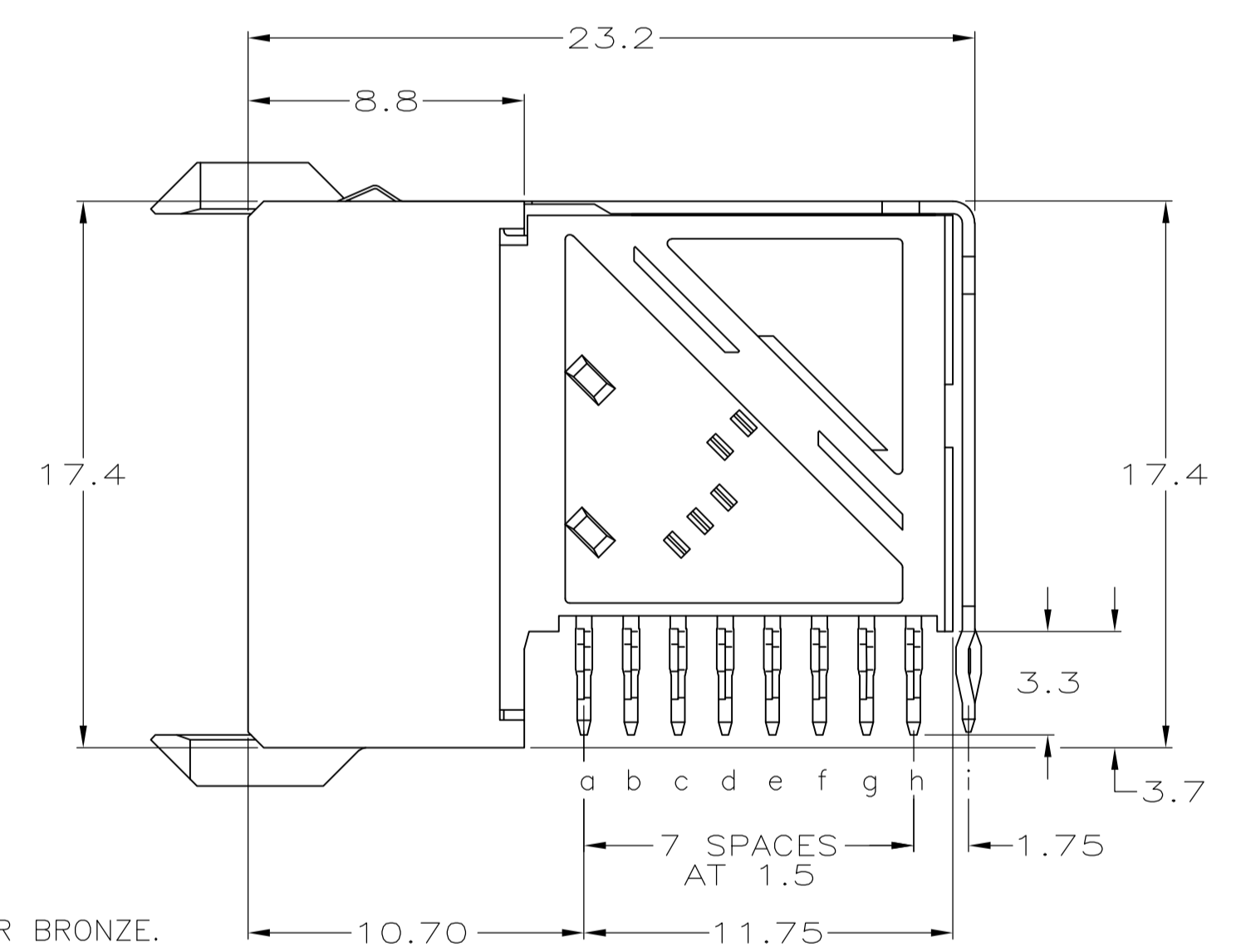
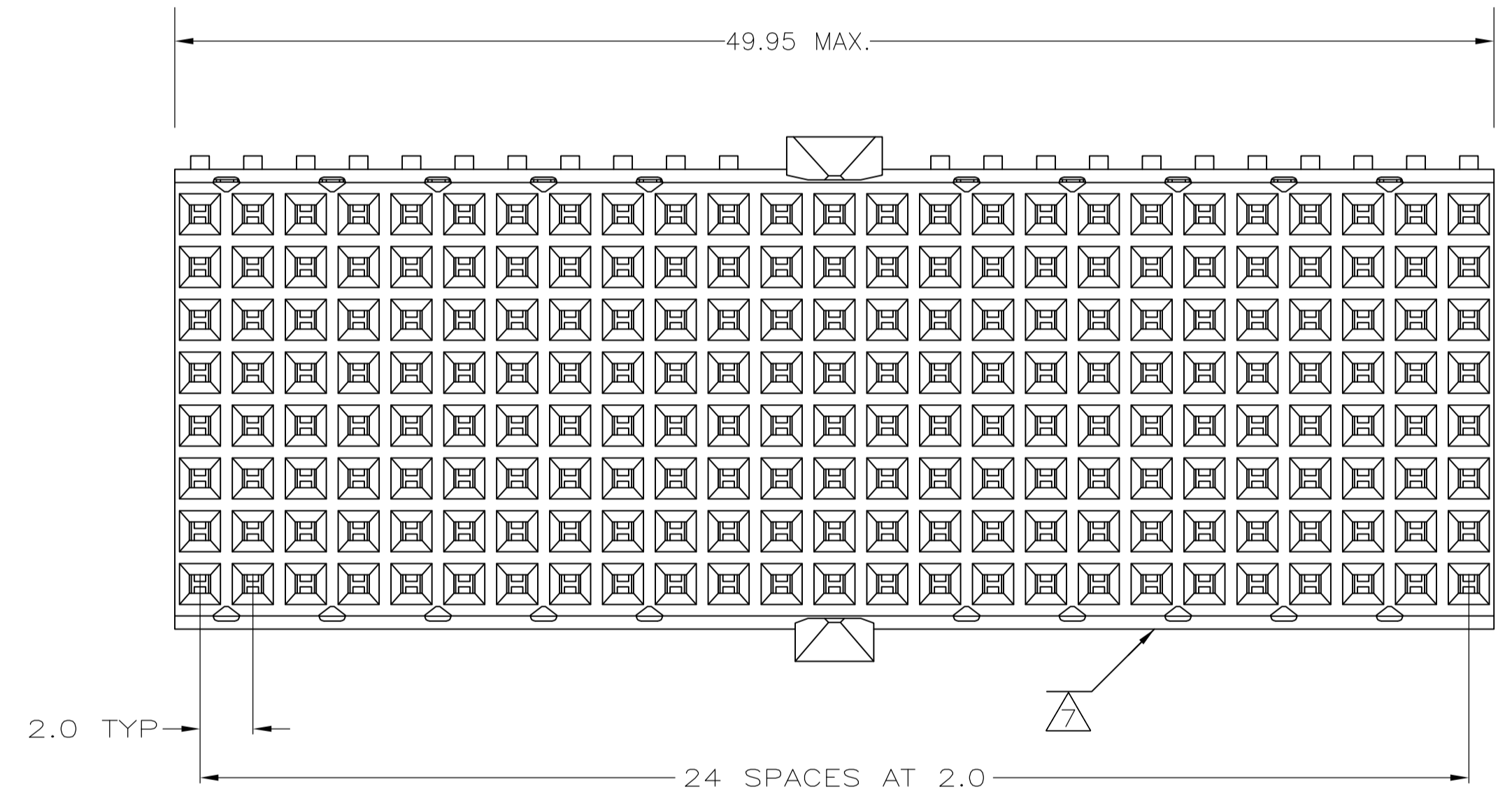
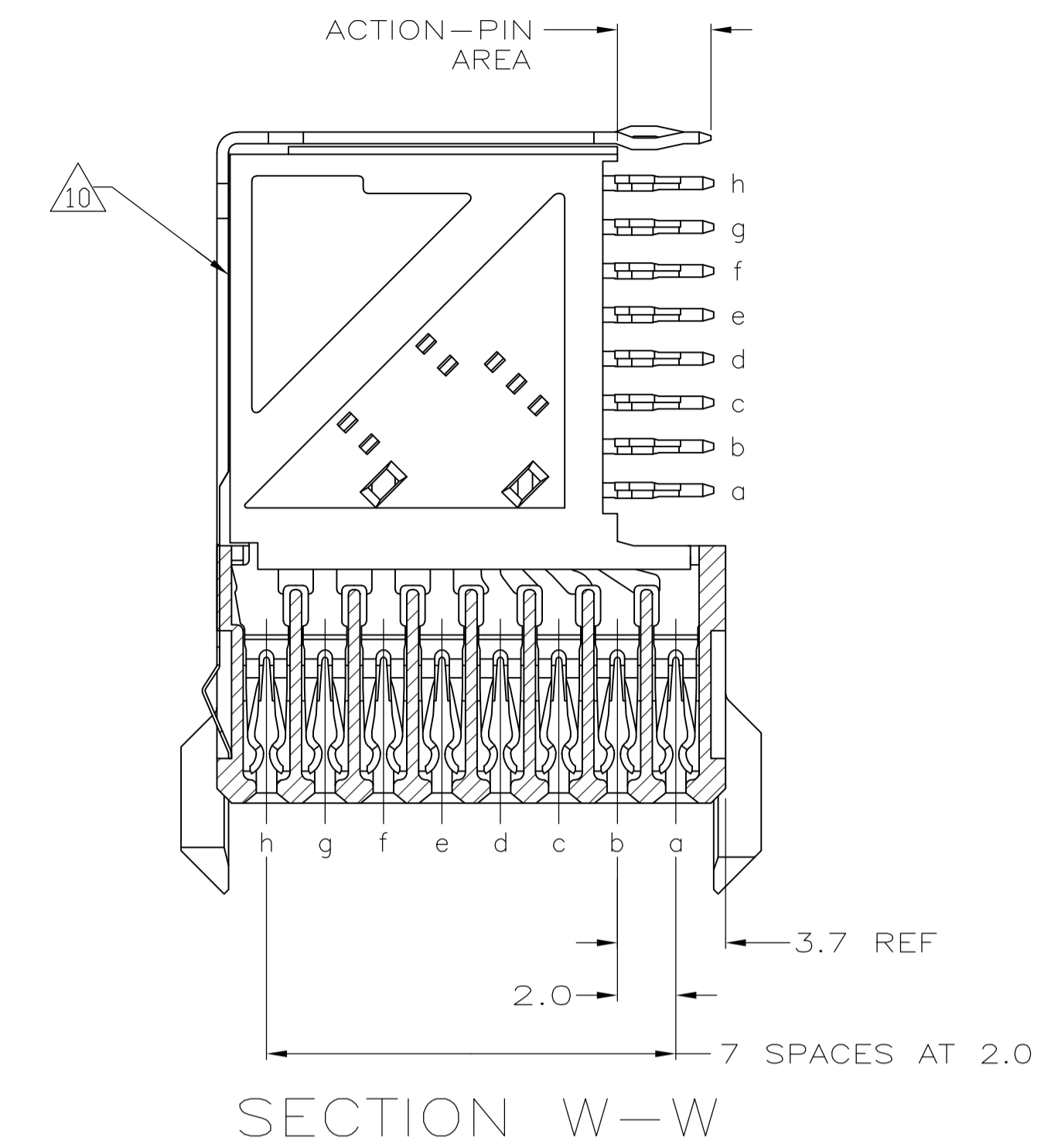
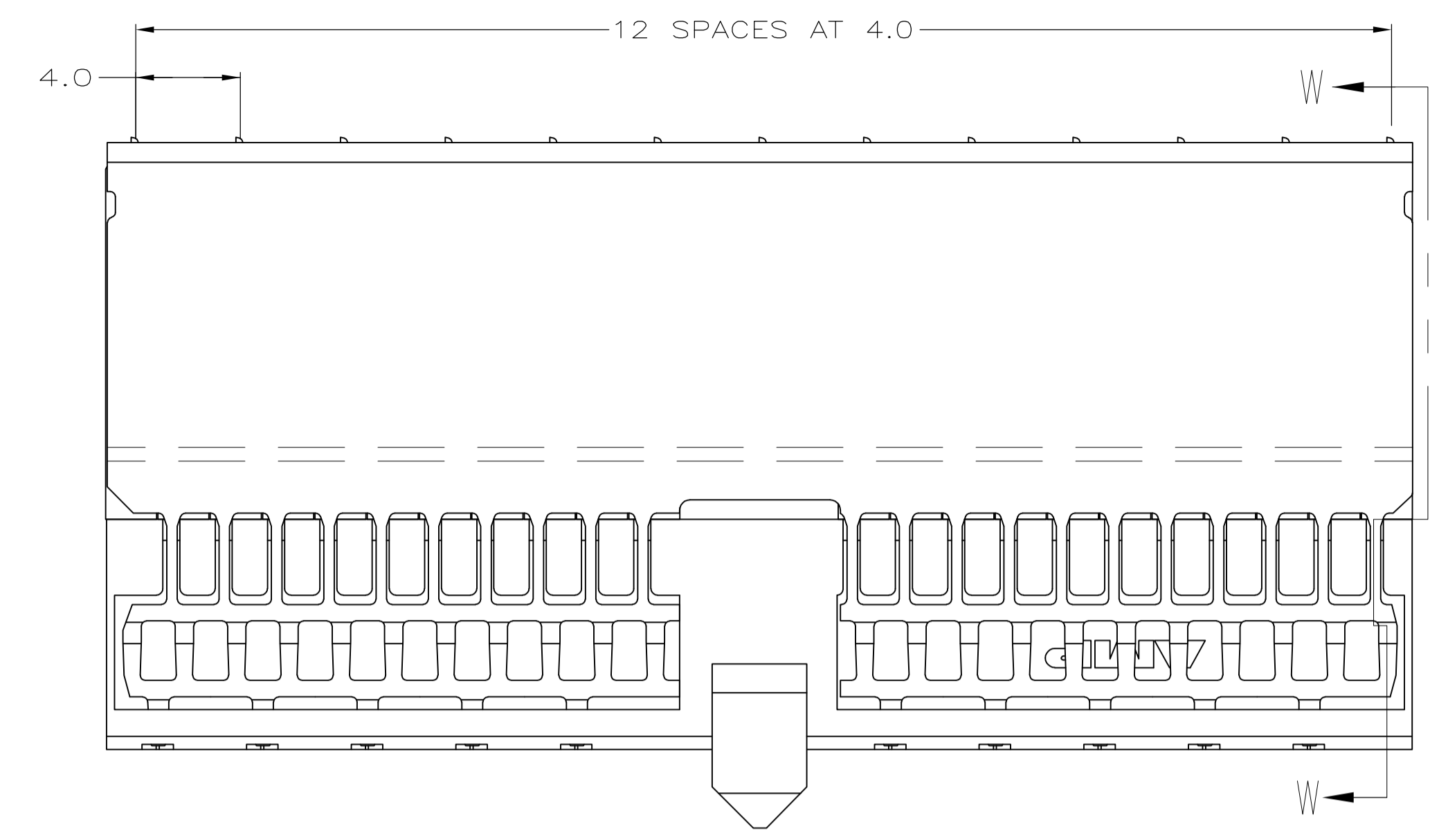


LOC		DIST		REVISIONS			
P	LTR	DESCRIPTION	DATE	DMN	APVD		
B		ECR-10-018652	10SEP10	JS	MQW		
C		ECO-11-024491	13DEC11	SY	MQW		
D		ECR-12-007088	17APR12	SY	AC		



- 1 MATERIAL:
CONTACT & SHIELD: PHOSPHOR BRONZE.
HOUSING: GLASS-FILLED POLYESTER.
- 2 GENERAL PLATING SPECIFICATION: UNDERPLATING
(ENTIRE CONTACT): 1.27µm MIN NICKEL AND ACTION
PIN: 0.5µm MIN TIN.
FOR PLATING OF MATING SURFACES SEE APPLICABLE
SPECIFICATION REFERENCE FOR EACH DASH NUMBER.
- 3 CONFORMS TO ALL TESTING ACCORDING TO IEC 61076-4-101
PERFORMANCE LEVEL 2.
- 4 CONFORMS TO ALL TESTING ACCORDING TO IEC 61076-4-101
PERFORMANCE LEVEL 1.
- 5 CONNECTOR TESTED AND QUALIFIED AGAINST TELCORDIA GR-1217-CORE QUALITY LEVEL 3,
CENTRAL OFFICE APPLICATIONS.
- 6 CONNECTOR TESTED AND QUALIFIED AGAINST TELCORDIA GR-1217-CORE QUALITY LEVEL 3,
UNCONTROLLED ENVIRONMENT APPLICATIONS.
- 7 CONNECTOR MARKED WITH PART NUMBER AND DATE CODE.
ADDITIONAL CHARACTERS OR MARKINGS, AS WELL AS THE LOCATION OF THE MARKINGS,
MAY BE ADDED FOR TRACEABILITY BASED UPON MANUFACTURERS DISCRETION.
- 8 PLATED-THROUGH HOLES AT 2 x 1.5mm GRID. 213 TOTAL HOLES.
- 9 ROW "i" 13 PLATED THROUGH HOLES FOR UPPERSHIELD.
- 10 SHIELD MOUNTED ON CONNECTOR WITH DOUBLE SIDED ADHESIVE TAPE
OR ADHESIVE.
- 11 CONNECTOR LUBRICATED WITH BELCORE APPROVED LUBRICANT,
TECHNICAL REFERENCE: TR-NWT-001217 ISSUE 1, SEP 1992.
- 12 OBSOLETE PARTS: OBSOLETE CIS STREAMLINING PER D.RENAUD/D.SINISI

PLATED THRU HOLES PARAMETERS
 REFERENCE APPLICATION SPECIFICATION

FINISH	PART NUMBER
2 6 11	1-5646759-9
2 5 11	5646759-9
2 4	5646759-4
2 3	5646759-1

THIS DRAWING IS A CONTROLLED DOCUMENT.		DIN B CARBO 04AUG05	Tyco Electronics Corporation Harrisburg, PA 17105-3608	
DIMENSIONS: mm		CHK G SKIPPER 04AUG05	APVD G SKIPPER 04AUG05	
TOLERANCES UNLESS OTHERWISE SPECIFIED:		NAME: RECEPTACLE ASSEMBLY, Z-PACK 2mm HM, TYPE D/E WITH GROUND RETURN SHIELD		
0-PLC ±		PRODUCT SPEC: 108-1622		
1-PLC ±0.1		APPLICATION SPEC: 114-19029		
2-PLC ±0.05		SIZE: A1		
3-PLC ±		CAGE CODE: 00779		
4-PLC ±		DRAWING NO: 5646759		
ANGLES ±		RESTRICTED TO: -		
MATERIAL 1		WEIGHT: -		
FINISH SEE TABLE		CUSTOMER DRAWING		
		SCALE: 5:1 SHEET: 1 OF 1 REV: D		